

10 Housing (0.102-194.0)

ET/VT (spare/wear parts)	Pos	Material #	Name	Qty.	Unit	Footnote text
	1	9.037-292.0	Tank KX.68MD	1.000	ST	
Position text: 1.601-742.0 /-745.0						
X	2	5.731-652.0	Filter with weight	1.000	ST	
	3	9.048-080.0	Cap of a tank	1.000	ST	
	4	6.388-216.0	Hose DN 5	1.000	M	TO ORDER AS CUT GOODS
	5	9.037-314.0	Nipple	1.000	ST	
	6	5.321-904.0	Holder pistol	1.000	ST	
	7	9.037-293.0	Holder hose KX.68MD	1.000	ST	
	8	9.037-312.0	Hand grip K3.68	1.000	ST	
	9	9.086-203.0	Screw 4x22	5.000	ST	
	10	9.755-110.0	Chassis rear complete K x.68	1.000	ST	
Position text: 1.601-742.0						
	10	9.755-138.0	Chassis rear complete K3.68	1.000	ST	
Position text: 1.601-743.0 /-744.0 /-745.0 /						
	11	9.086-173.0	Screw Hi-Lo d.4x22 Torx-d.7,5	10.000	ST	
	12	9.755-111.0	Wheel set K3.68 / K3.48	1.000	ST	SET OF 2 PIECES
Position text: 1.601-742.0						
	13	9.760-386.0	Bracket motor	1.000	ST	
	14	9.760-387.0	Flange motor bracket	1.000	ST	
	15	9.755-170.0	Cover front K3.68 spare parts	1.000	ST	
Position text: 1.601-743.0 /-744.0 /-745.0 /						
	15	9.755-170.0	Cover front K3.68 spare parts	1.000	ST	
Position text: 1.601-742.0						
	16	9.760-548.0	Cap of a tank K3.68*US/CA DDT	1.000	ST	
Position text: 1.601-745.0						

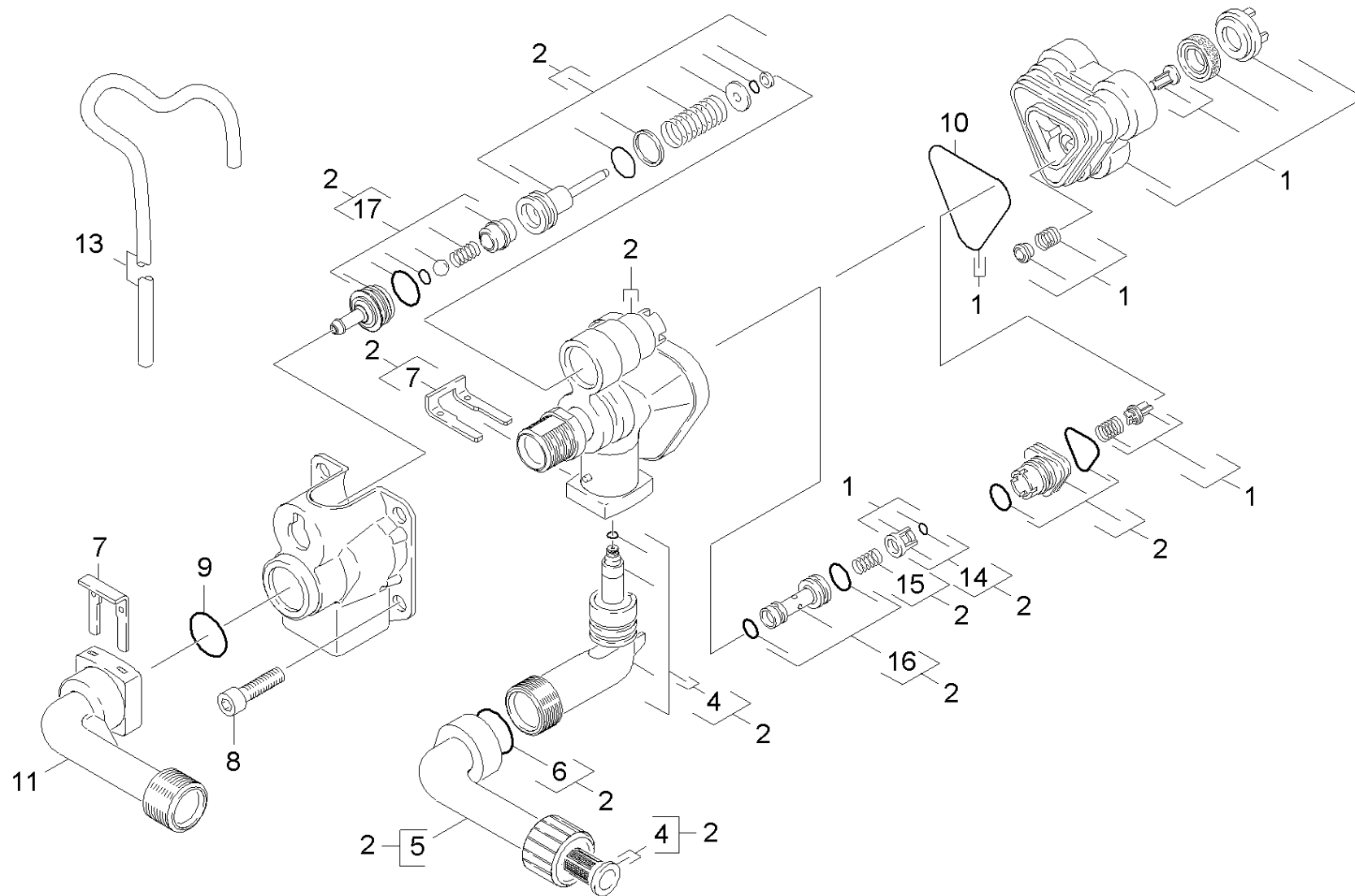
10 Housing (0.102-194.0)

ET/VT (spare/wear parts)	Pos	Material #	Name	Qty.	Unit	Footnote text
	17	9.760-522.0	Bumper	1.000	ST	
Position text: 1.601-743.0 /-744.0 /-745.0 /						
	18	9.755-146.0	Wheel set with orifice replacement K3 fa	1.000	ST	SET OF 2 PIECES
Position text: 1.601-743.0 /-744.0 /-745.0 /						
	19	9.760-521.0	Wheel cover D 200	2.000	ST	
Position text: 1.601-743.0 /-744.0 /-745.0 /						
	20	9.086-192.0	Oval head screw 4,2x13	2.000	ST	
Position text: 1.601-743.0 /-744.0 /-745.0 /						
	21	9.760-574.0	Tank cleaning agents large K3.68	1.000	ST	
Position text: 1.601-743.0 /-744.0						
	22	9.755-239.0	Bracket hose reel spare part	1.000	ST	
Position text: 1.601-744.0						
	23	9.755-241.0	Hose reel spare part	1.000	ST	
Position text: 1.601-744.0						

20 Pump set (0.102-195.0)

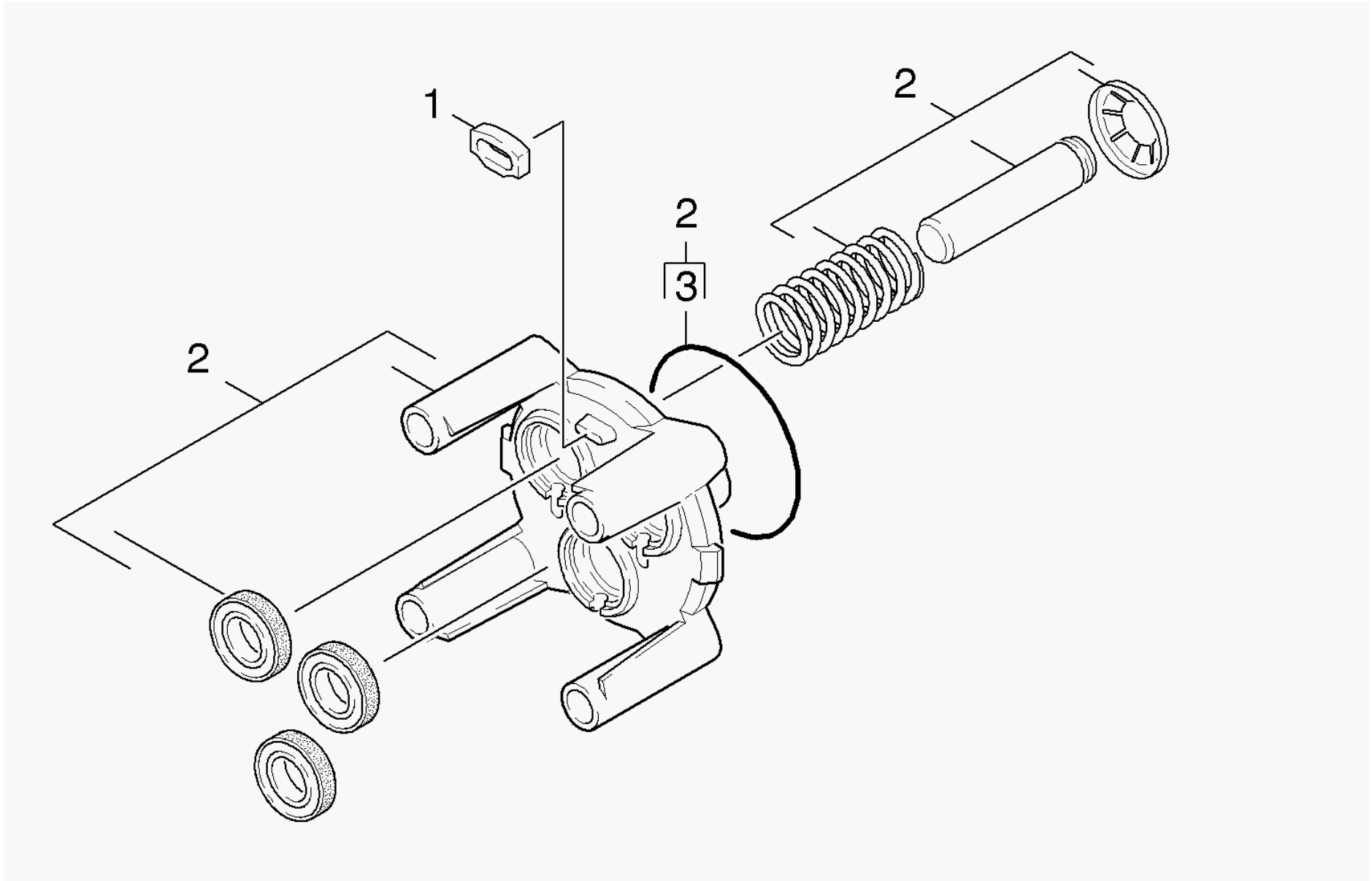
Pos	Material #	Name	Qty.	Unit
21	0.102-381.0	Cylinder head	1.000	ST
22	0.102-463.0	Thrust guidance	1.000	ST

21 Cylinder head (0.102-381.0)



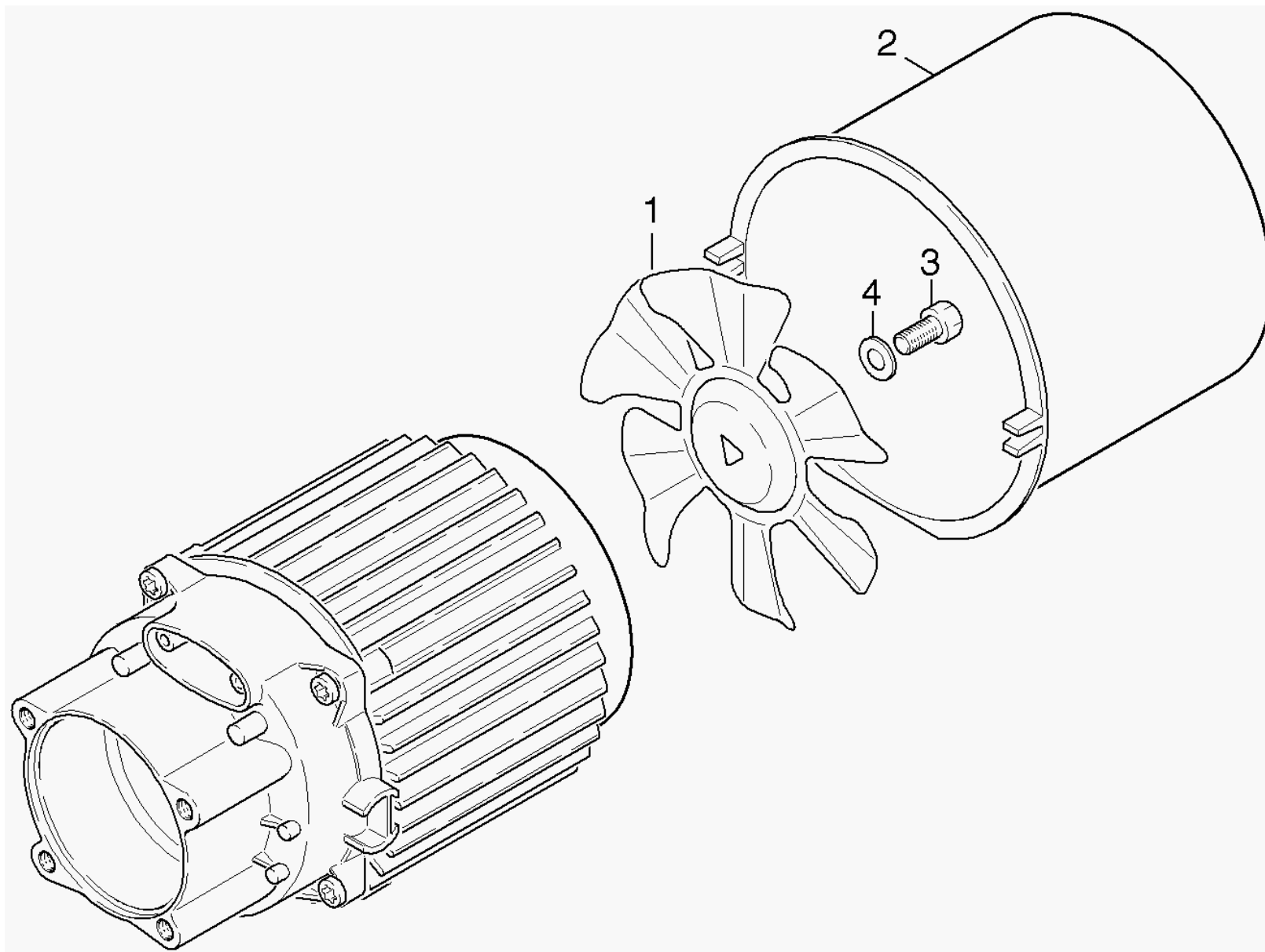
21 Cylinder head (0.102-381.0)

ET/VT (spare/wear parts)	Pos	Material #	Name	Qty.	Unit	Footnote text
	1	9.755-020.0	H.P. head complete Spare Part	1.000	ST	
X	2	9.755-112.0	Housing complete	1.000	ST	
X	4	9.001-375.0	Spare parts set suction connection	1.000	ST	
X	5	9.755-113.0	Suction connection complete replacement	1.000	ST	
	6	9.081-420.0	O-Ring d.17,86x2,62	1.000	ST	
	7	9.039-148.0	Metal fork	2.000	ST	
	8	9.086-200.0	Screw M 8x55 Class 8.8	4.000	ST	
X-X	9	6.362-151.0	O-Ring d. 10 x 2 NBR 70	1.000	ST	
	10	9.081-422.0	Form seal	1.000	ST	
X-X	11	9.036-703.0	Connection delivery side	1.000	ST	
	13	6.388-216.0	Hose DN 5	1.000	M	TO ORDER AS CUT GOODS
	14	9.001-107.0	Cage complete	1.000	ST	
	15	9.047-026.0	Spring	1.000	ST	
	16	9.001-108.0	Injector complete	1.000	ST	
	17	9.750-058.0	Detergent fitting assembly (GEN)	1.000	ST	



22 Thrust guidance (0.102-463.0)

Pos	Material #	Name	Qty.	Unit
1	9.048-071.0	Spacer - Seal	1.000	ST
2	9.012-496.0	Thrust guidance complete PA (EX-141)	1.000	ST
3	6.362-826.0	O-Ring seal 61,6x2,62	1.000	ST

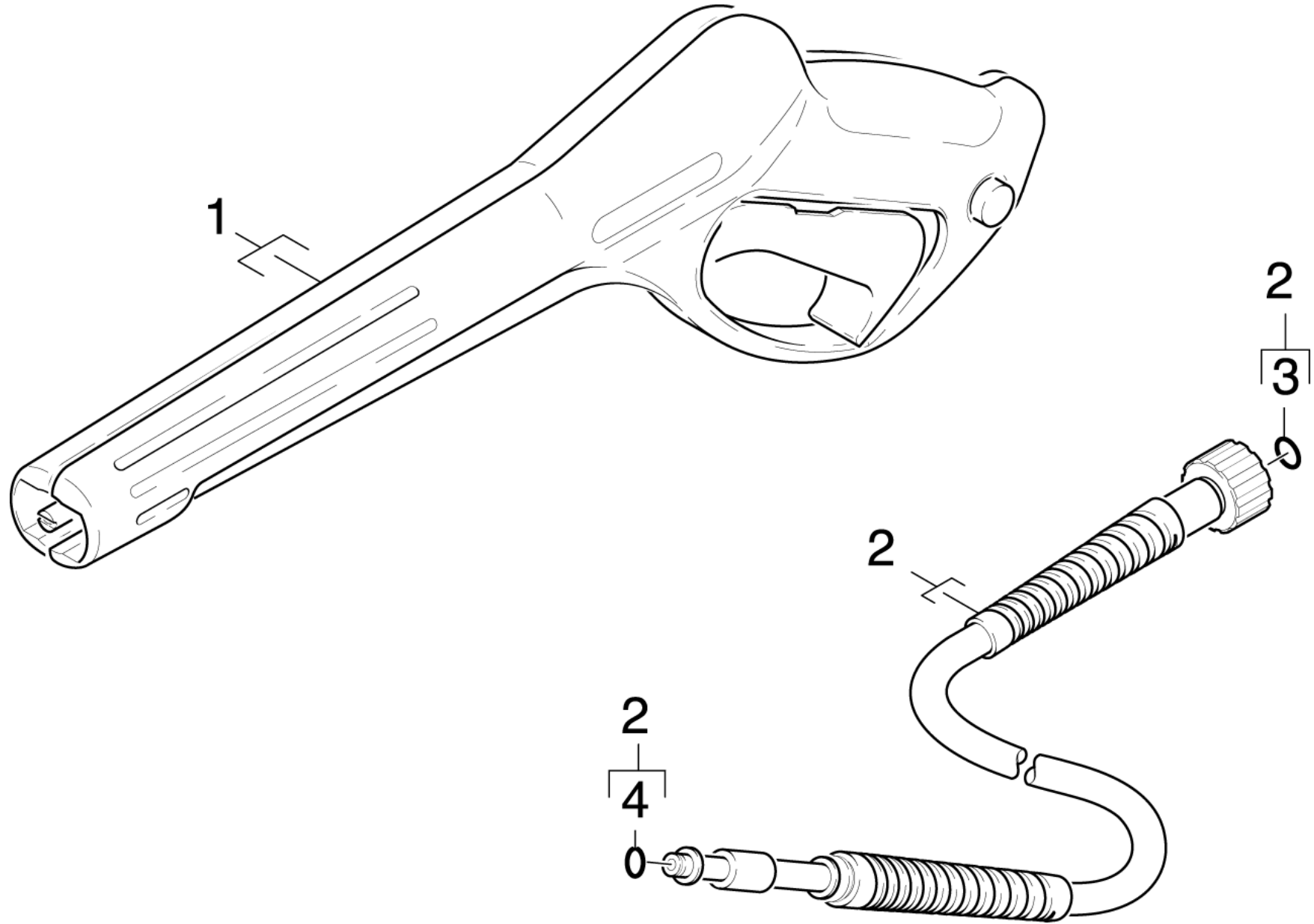


30 Motor (0.102-464.0)

Pos	Material #	Name	Qty.	Unit
1	9.039-188.0	Blower wheel	1.000	ST
2	9.760-150.0	Fan cover grey (9.037-044)	1.000	ST
3	7.304-395.0	Hexagonal head screw M8x16-8.8-A2E ISO	1.000	ST
4	7.312-233.0	Serrated lock washer A8,4-FSt-A3E DIN67	1.000	ST

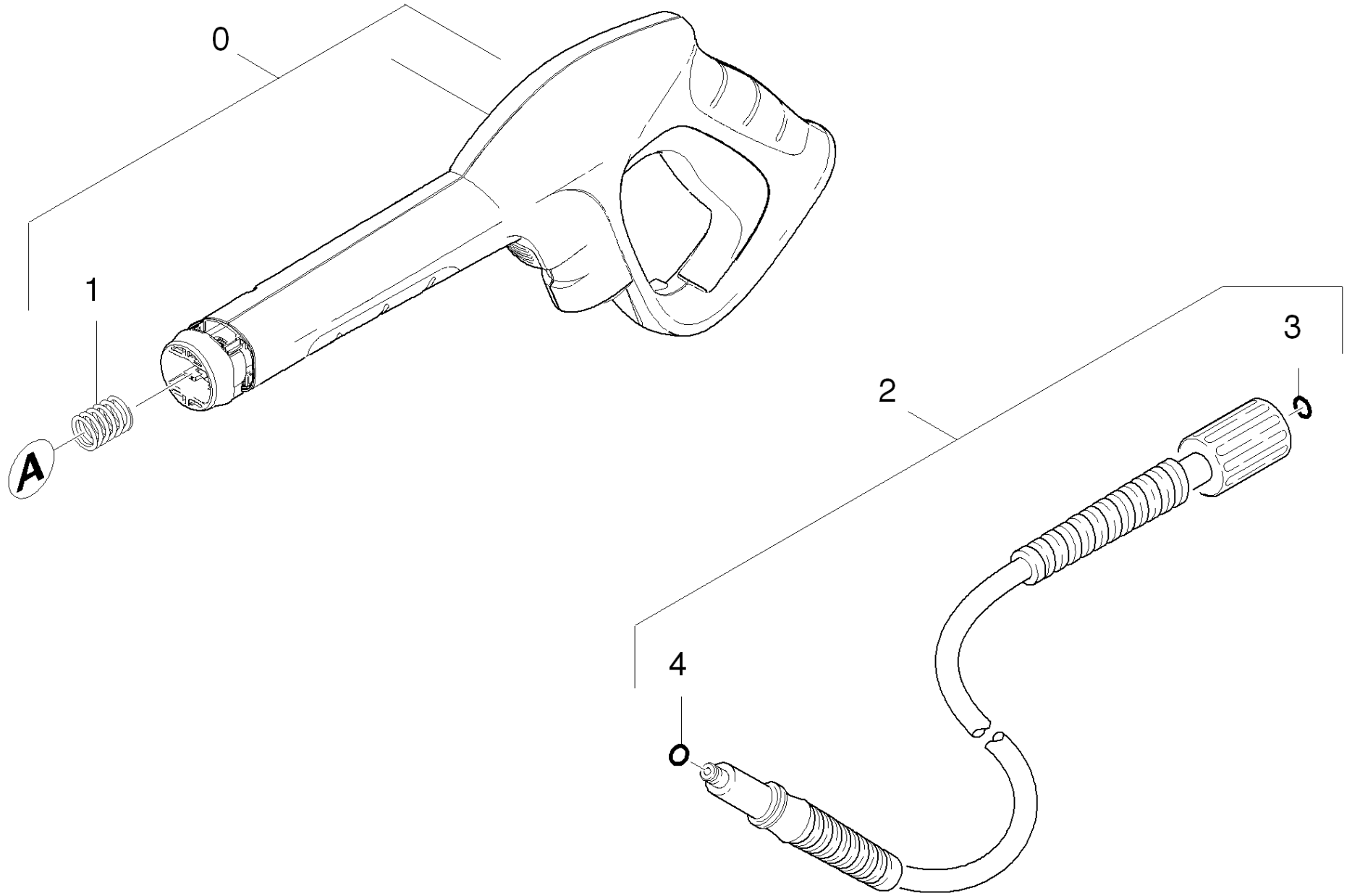
40 Accessories (0.102-465.0)

Pos	Material #	Name	Qty.	Unit	var. information
41	0.102-476.0	Hand trigger gun	1.000	ST	VERSION 1
42	0.105-728.0	Hand trigger gun	1.000	ST	VERSION 2
43	0.102-477.0	Jet pipe	1.000	ST	



41 Hand trigger gun (0.102-476.0)

ET/VT (spare/wear parts)	Pos	Material #	Name	Qty.	Unit
	1	4.775-331.0	Pistol replacement 97K	1.000	ST
	2	6.391-663.0	High pressure hose 7,5/14MPa	1.000	ST
X-X	3	2.880-154.0	O-Ring kit	1.000	ST
	4	6.362-498.0	O-Ring seal 6,75x1,78 NBR 70	1.000	ST

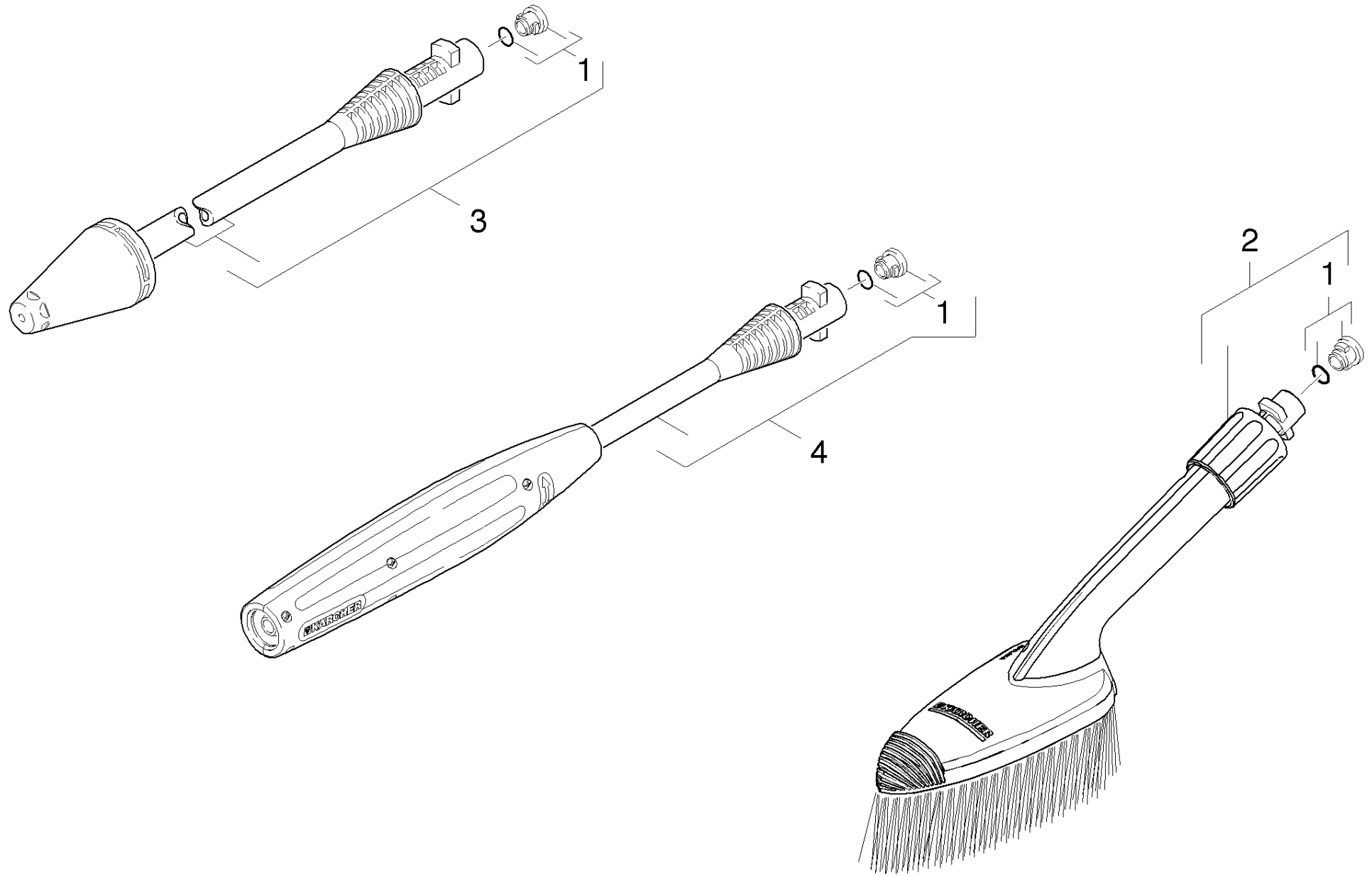


42 Hand trigger gun (0.105-728.0)

ET/VT (spare/wear parts)	Pos	Material #	Name	Qty.	Unit
X	0	2.642-172.0	Pistol best 2K verpackt	1.000	ST
	1	5.332-464.0	Pressure spring	1.000	ST
X-X	2	2.641-706.0	High pressure hose 16MPa/9m 60°C, verp.	1.000	ST
X-X	3	2.880-296.0	Spare part set O-Ring seal 5x	1.000	ST
X	4	6.363-410.0	O-Ring seal 5,7x1,78 NBR 90Shore	1.000	ST

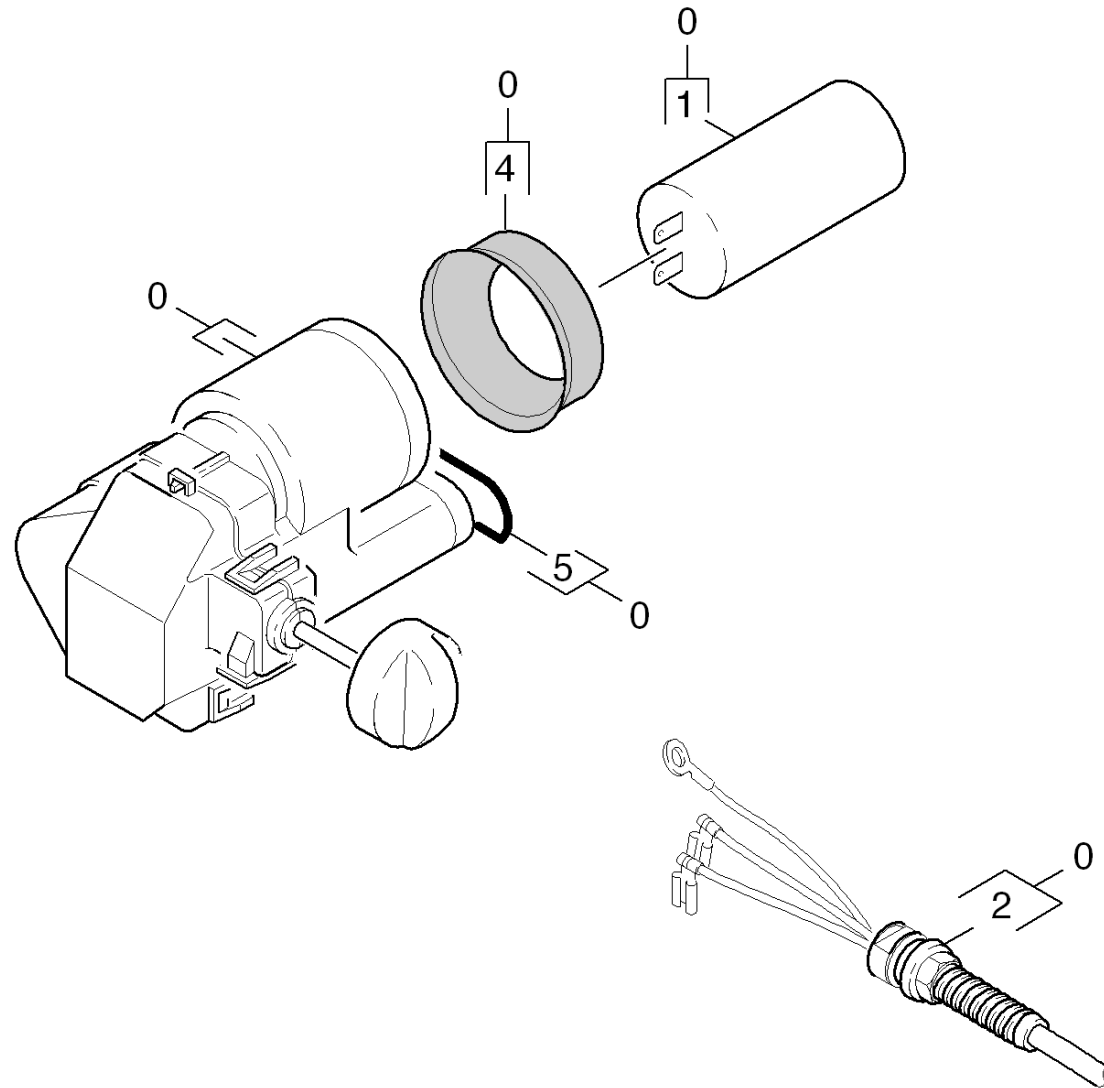
3 Spare part set O-Ring seal 5x (2.880-296.0)

Pos	Material #	Name	Qty.	Unit
10	6.362-957.0	O-Ring seal 10,0 X 2,0-EPDM 85-90	5.000	ST



43 Jet pipe (0.102-477.0)

ET/VT (spare/wear parts)	Pos	Material #	Name	Qty.	Unit
X-X	1	2.640-729.0	O-Ring seal set	1.000	ST
X-X	2	2.640-589.0	Brush lengthwise	1.000	ST
	3	4.763-991.0	Dirt blaster LP/027	1.000	ST
	4	4.760-534.0	VPS K3 0287	1.000	ST



50 Electric box (0.102-483.0)

Pos	Material #	Name	Qty.	Unit
0	9.755-115.0	Electric box complete replacement K3.68	1.000	ST
1	6.661-196.0	Capacitor 60μF	1.000	ST
2	9.084-149.0	Cable with plug	1.000	ST
4	9.760-118.0	Seal	1.000	ST
5	9.081-417.0	O-Ring d.20 x 2	1.000	ST
